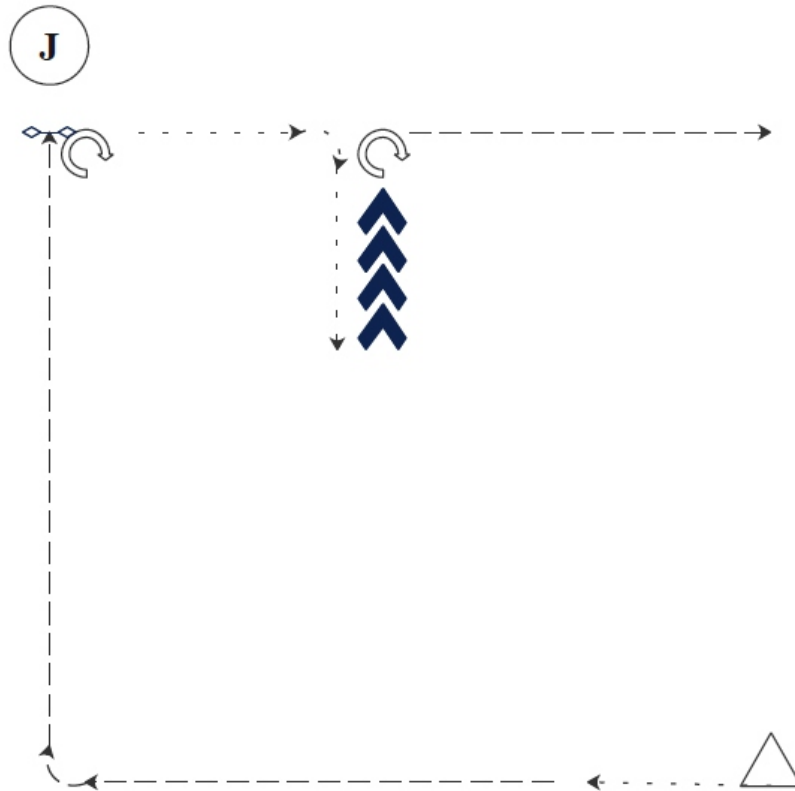


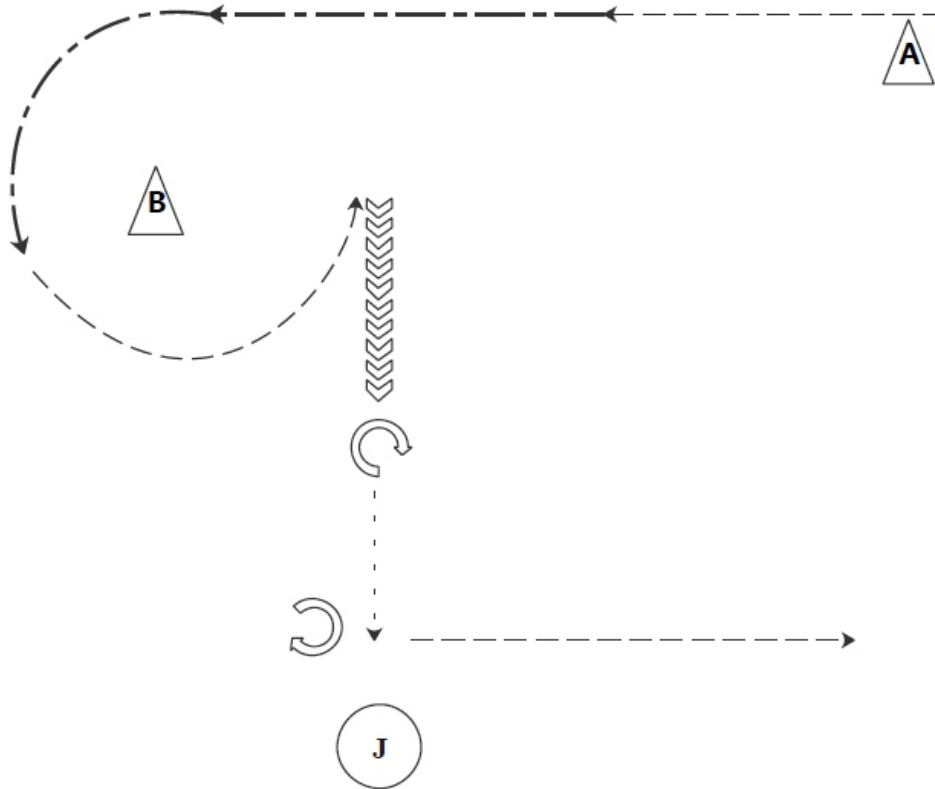
**DQHA Regionen Futurity  
Showmanship at Halter  
D-L1 Amateur,**



1. Start at A, walk approx. 2 horse length
2. Trot to judge, stop
3. Set up
4. Inspection
5. When dismissed turn 90°
6. Walk line as drawn and stop
7. Back up
8. turn 270°
9. Trot to exit

**Pattern provided by Michaela Kayser**

**DQHA Regionen Futurity  
Showmanship at Halter  
D-Amateur**

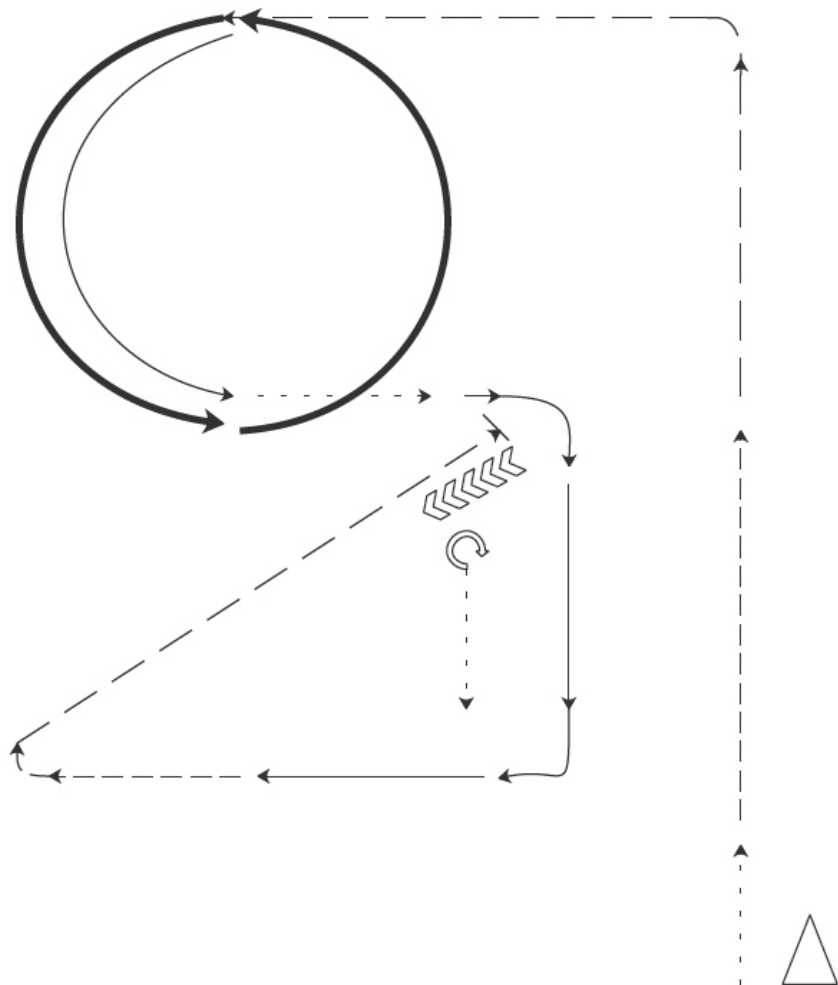


1. Start at A, trot approx. 2 horse length
2. increase speed at the trot
3. reduce speed to regular trot and stop
4. back up approx. 2 horse length
5. turn 540°
6. walk toward the judge
7. set up
8. inspection
9. turn 270°
10. trot to exit

Pattern provided by Michaela Kayser



**DQHA Regionen Futurity  
Western Horsemanship  
D-Amateur,**

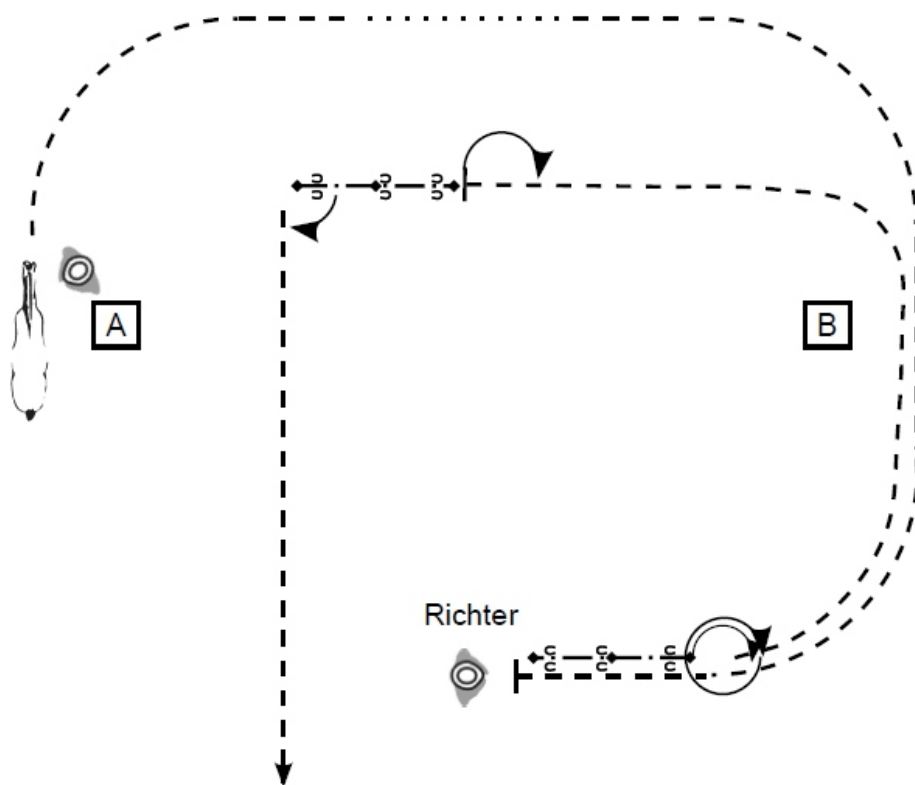


1. Walk approx 2 horse length
2. jog
3. extend the jog and follow line around the corner
4. lope circle on left lead with increased speed, collect lope, half circle
5. walk
6. lope right lead as shown with two corners
7. jog, half way and around corner
8. extend the jog
9. stop and back up approx. 2 horse length
10. turn. 45° and walk to exit

**Pattern provided by Michaela Kayser**

# Showmanship at Halter

## JACKPOT Trail in Hand

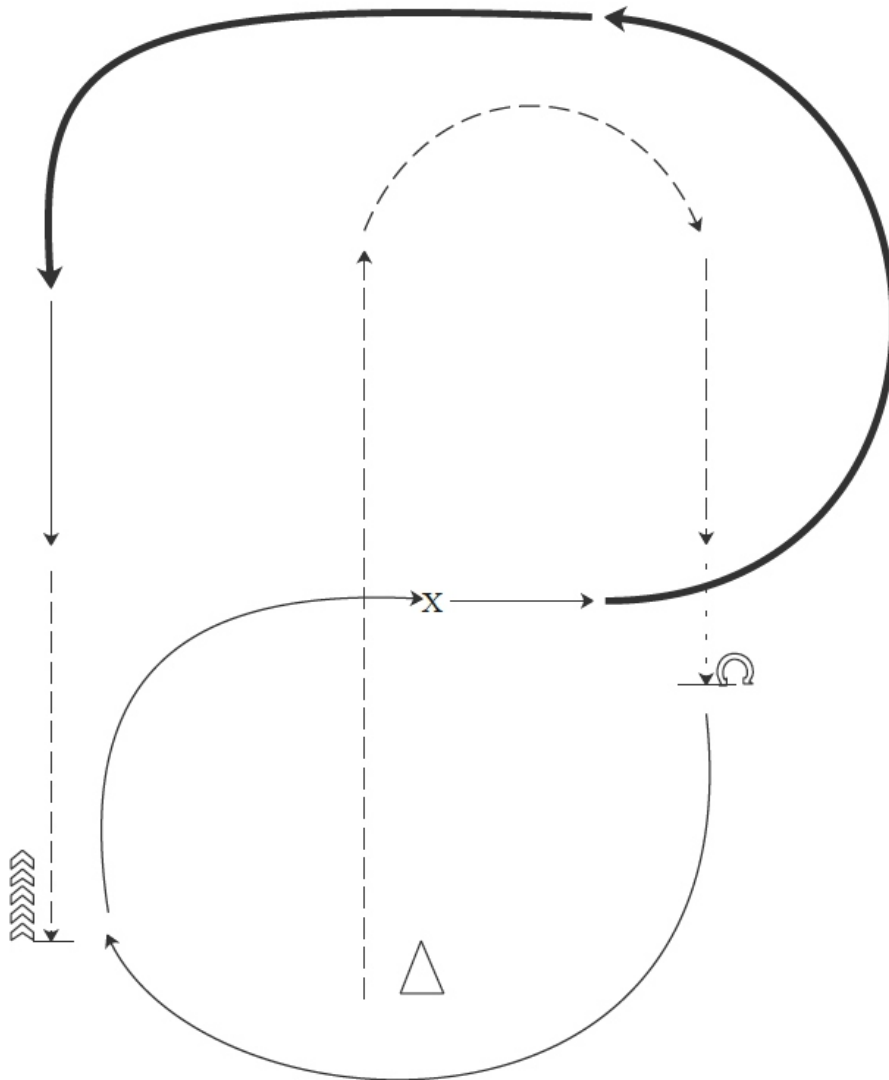


Set Up bei A

1. Jog einen Bogen  
ca. 2 Pferdelängen Walk  
Jog um B zum Richter - Stop
2. Set Up
3. Back Up
4. 540° Turn
5. Jog um B  
auf Höhe des Richters - Stop
6. 180° Turn
7. Back Up
8. 90° Turn  
im Jog in die Warm Up Area

- A Marker
- ..... Walk
- - - - - Jog
- — — — — ext. Jog
- ← ↻ → ↻ → ↻ → Back Up

**DQHA Regionen Futurity  
Hunt Seat Equitation  
D-Amateur,**



1. Posting trot right diagonal, change diagonal before turning to the right
2. transition to walk, stop
3. turn on forehand either way
4. canter right lead
5. change leads simple or flying
6. hand galopp
7. canter
8. sitting trot
9. stop and back approx 2 horse length

**Pattern provided by Michaela Kayser**